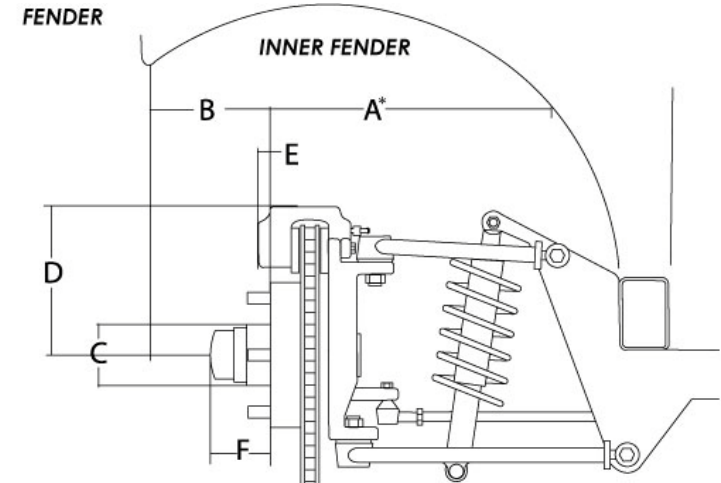


# CURTIS CUSTOM WHEEL

2679 WARE STREET, ABBOTSFORD, BC  
Phone: 888.487.1136

## WHEEL SECTION THROUGH FENDER WELL



CUSTOMER NAME:

PHONE #

FAX#

MAKE:

MODEL:

YEAR:

BOLT PATTERN:

FRONT

REAR

A Mounting Surface to First Obstruction Frame Side

B Mounting Surface to Inside Fender

C Hub Diameter

D Brake Diameter: Center to Top of Caliper (x2)

E Protrusion of Caliper Past Mounting Surface

F Hub Length

ORDER DATE:

P. O. #

SALES REP:

STYLE OF WHEEL:

FINISH OF CENTER:

FRONT WHEEL SIZE:

OFFSET:

PRICE:

REAR WHEEL SIZE:

OFFSET:

PRICE:

AFTER-MARKET BRAKES?

FRONT/STYLE:

REAR/STYLE:

BREMBO OE?

SPECIAL INSTRUCTIONS:

Color Matching (Name of Color):

Color Matching (Paint Code):

CREDIT CARD:

EXP:

CVD:

NAME ON CARD:

DEPOSIT REQUIRED:

**Credit Card is required for deposit at time of order.**

Signature **CONFIRMS THAT ALL INFORMATION IS TRUE AND CORRECT** & that there will be **NO CANCELLATIONS OR RETURNS** if wheels are made to the correct specifications on this sheet.

Signature: \_\_\_\_\_

ALL COMPLETED ORDERS MUST BE FAXED TO:  
(604) 853-9201